

## FUTURA 3D A & F BASIC MECHANISM

### Functions

The hinges are supplied completely pre-assembled and ready to be installed on the profile, the hardware consists of ready-assembled accessories that make installation easy and instant.

### Materials

#### Arm

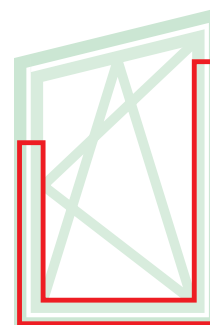
Body, fixing block and slider in zamak with GS Silver Plus finish (up to 500 h of corrosion resistance) and stainless steel rod. Rod, connecting bracket, grub screws and screws in stainless steel. Stop disk in polyamide.

#### Hinges

Extruded aluminium and brass hinge body Zamak supports with GS Silver Plus finish (up to 500 h corrosion resistance). Pins, screws and grub screws in stainless steel.

#### Mechanism

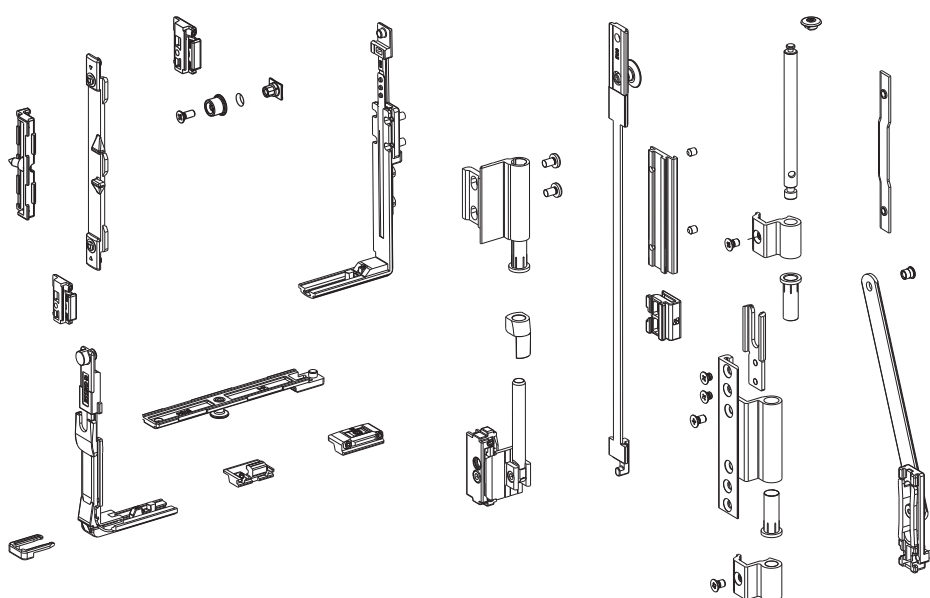
Drive, drive rod, bolt tip and strikers in zamak with GS Silver Plus finish (up to 500 h of corrosion resistance). Screws and grub screws in stainless steel. Polyamide raiser.



Online data sheet



04671K



Item code	Description	PROFILE CROSS - SECTION	Base Raw	Anodised Elox	Painted	Trend/Gold Brass	Pieces per pack
04671K	T/T FUTURA ARCHED & SLOPING WINDOW MECHANISM	C001-C002			X	X	5